



NQ523BD

User Manual



DIGITAL MEDIA RECEIVER

CONTENTS

Warnings&Precautions	1 EN
FCC Statement	1 EN
ISED Statement	2 EN
Product Features	2 EN
Accessory List	3 EN
Dimension(Unit:mm)	3 EN
Wiring Diagram	4 EN
Basic Functions Of Panel Keys	5 EN
Remote Operation	6 EN
Basic Operation	6 EN
Radio Operation	7 EN
Tuner Settings	7 EN
USB&SD Playback	8 EN
Supported Audio Playback List	8 EN
Supported Devices	8 EN
Bluetooth Operation	9 EN
Bluetooth Pairing	9 EN
Bluetooth Basic Operation	9 EN
Bluetooth Music Operation	9 EN
AUX Input	10 EN
External Microphone	10 EN
Audio Settings	11 EN
Audio Settings List	11 EN
Subwoofer Volume Adjustment	11 EN
Preset EQ Select	11 EN
User EQ Setup	11 EN
X-BASS Adjustment	11 EN
Audio Settings	12 EN
3D Surround Setup	12 EN
DRC OFF/ON	12 EN
Loudness Setup	12 EN
Bass Adjustment	12 EN
Treble Adjustment	12 EN
Balance Adjustment	12 EN
Fader Adjustment	12 EN
Audio Setup Reset	12 EN
Xover Setup	13 EN
Subwoofer Xover List	13 EN
Subwoofer Frequency Setup	13 EN
Subwoofer Phase Setup	13 EN
Subwoofer Gain Setup	13 EN
Subwoofer Slope Setup	13 EN
Front&Rear HPF Frequency Setup	13 EN
Front&Rear HPF Gain Setup	13 EN
Front&Rear LPF Frequency Setup	13 EN
Xover Setup	14 EN
Front&Rear LPF Gain Setup	14 EN
Front&Rear Slope Setup	14 EN
DTA Settings	14 EN
DTA Settings List	14 EN
Car Type Settings	14 EN
Listening Position Settings	14 EN
Delay Unit Settings	14 EN
DSP Reset	14 EN
Time Alignment(Distance)	15 EN
Clock And Date Settings	16 EN
Clock And Date Settings List	16 EN
Clock Format Settings	16 EN
Clock Adjust	16 EN
Date Format Settings	16 EN
Date Settings	16 EN
Display Settings	16 EN
Display Settings List	16 EN
Display Settings	17 EN
Key Light Select	17 EN
Spectrum On/Off	17 EN
ID3 On/Off	17 EN
System Version	17 EN
Animation Settings	17 EN
Demo Mode Select	17 EN
APP Operation	18 EN
Trouble Shooting	20 EN
Speaker Connection	20 EN
Specification	21 EN

WARNINGS & PRECAUTIONS

To avoid risk of serious injury or possible violation of laws, please read the following thoroughly before installation or connecting.

- This product is designed specifically for use with 12 volt, negative ground electrical systems only.
- Having the wiring and installation done by expert.
Be sure to disconnect the cable from the negative battery terminal while installation.
- This apparatus shall not be exposed to dripping or splashing, and no object filled with liquids, shall be placed on the apparatus.
- Fuses shall be replaced only with the correct type and fuse value, and only when the apparatus is powered off.
- To prevent a short circuit, never put or leave any metallic objects (such as coins or metallic tools) inside the unit.
- Never set the volume of this product so high that you cannot hear outside traffic and emergency vehicles.

FCC STATEMENT

This equipment has been tested and found to comply with the limits for a Class B digital device, pursuant to part 15 of the FCC Rules. These limits are designed to provide reasonable protection against harmful interference in a residential installation. This equipment generates, uses and can radiate radio frequency energy and, if not installed and used in accordance with the instructions, may cause harmful interference to radio communications. However, there is no guarantee that interference will not occur in a particular installation. If this equipment does cause harmful interference to radio or television reception, which can be determined by turning the equipment off and on, the user is encouraged to try to correct the interference by one or more of the following measures:

- Reorient or relocate the receiving antenna.
- Increase the separation between the equipment and receiver.
- Connect the equipment into an outlet on a circuit different from that to which the receiver is connected.
- Consult the dealer or an experienced radio/TV technician for help.

Caution: Any changes or modifications to this device not explicitly approved by manufacturer could void your authority to operate this equipment.

This device complies with part 15 of the FCC Rules. Operation is subject to the following two conditions:

1. This device may not cause harmful interference.
2. this device must accept any interference received, including interference that may cause undesired operation.

RF Exposure Information

This equipment complies with FCC radiation exposure limits set forth for an uncontrolled environment. This equipment should be installed and operated with minimum distance 20cm between the radiator and your body.

ISED STATEMENT

English: This device contains licence-exempt transmitter(s)/receiver(s) that comply with Innovation, Science and Economic Development Canada's licence-exempt RSS(s). Operation is subject to the following two conditions:

1. This device may not cause interference.
2. Cause undesired operation of the device.

The digital apparatus complies with Canadian CAN ICES-3 (B)/NMB-3(B).

French: Cet appareil contient des émetteurs/récepteurs exempts de licence qui sont conformes aux RSS exemptés de licence d'Innovation, Sciences et Développement économique Canada. L'exploitation est soumise aux deux conditions suivantes :

1. Cet appareil ne doit pas provoquer d'interférences.
2. Cet appareil doit accepter toute interférence, y compris les interférences susceptibles de provoquer un fonctionnement indésirable de l'appareil.

L'appareil numérique du ciem conforme canadien peut - 3 (b) / nmb - 3 (b).

This device meets the exemption from the routine evaluation limits in section 2.5 of RSS 102 and compliance with RSS 102 RF exposure, users can obtain Canadian information on RF exposure and compliance.

Cet appareil est conforme à l'exemption des limites d'évaluation courante dans la section 2.5 du cnr - 102 et conformité avec rss 102 de l'exposition aux rf, les utilisateurs peuvent obtenir des données canadiennes sur l'exposition aux champs rf et la conformité.

This equipment complies with Canada radiation exposure limits set forth for an uncontrolled environment.

Cet équipement est conforme aux limites d'exposition aux rayonnements du Canada établies pour un environnement non contrôlé.

This equipment should be installed and operated with minimum distance 20cm between the radiator & your body.

Cet équipement doit être installé et utilisé à une distance minimale de 20 cm entre le radiateur et votre corps.

PRODUCT FEATURES

Panel: Fixed

LCD: 2-Line VA-LCD

Key Light: Multi Color

Bluetooth: Version 5.0

Bluetooth Music :Support

DSP: Built-in

EQ: 40 band,8 Preset

Pre-Output: 6CH x 2V

Max Power: 4 x 50W

DRC: Support

Xbass: Support

Xover: Support

3D Surround: Support

Time alignment: 0-20 ms

Q Value: 1-20

Subwoofer Control: Support

Playback Interface: TF&USB

Phase: 0° -180°

Listening bit setting: Support

Slope: 0dB-24dB

PAC™ -SWI: Support

Remote: Support

Microphone: Built-in and External

Radio: Preset 18FM,12AM, RDS

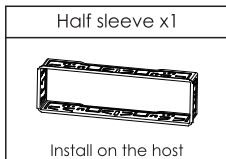
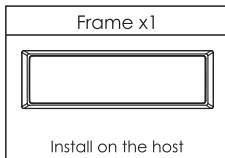
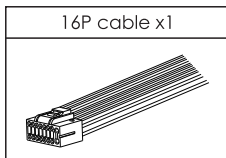
APP Control: iOS and Android Phone

Charge: Front USB 1A

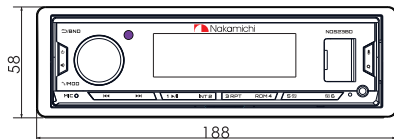
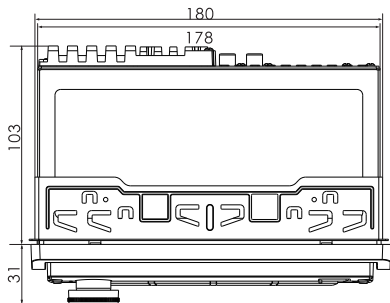
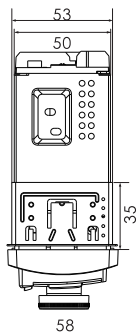
Audio Format: MP3,WMA,AAC,FLAC,APE

ACCESSORY LIST

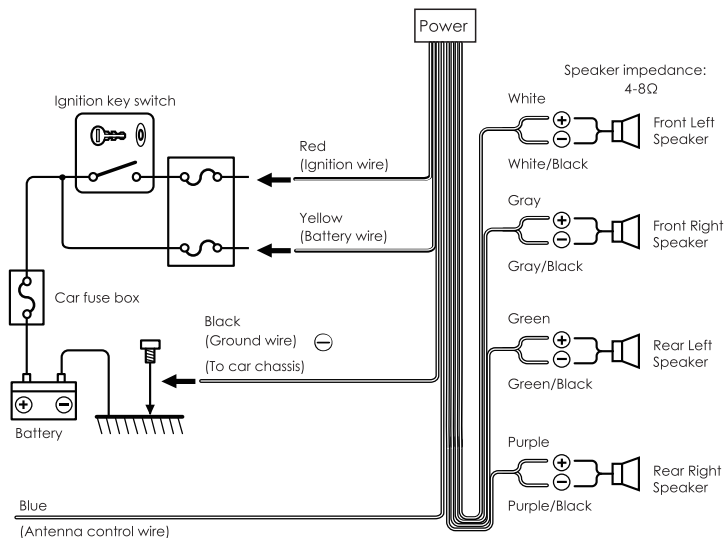
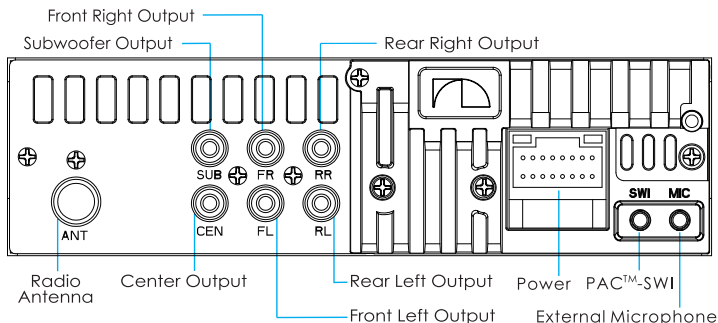
Please check the following accessories after opening the package:



DIMENSION(UNIT:MM)

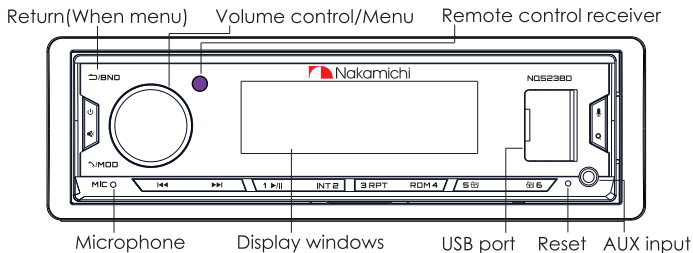


WIRING DIAGRAM

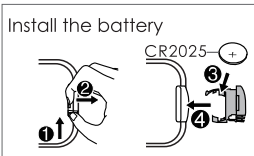


BASIC FUNCTIONS OF PANEL KEYS

To	Radio status	USB/TF/BT MUSIC Status
⏪ ⏩	Seek a station manually	Previous/Next track
1 ⏩/	Preset 1	Playback/Pause
INT 2	Preset 2	Intro Playback
3 RPT	Preset 3	Repeat Playback
ROM 4	Preset 4	Random Playback
5 6	Preset 5/Preset 6	Previous/Next folder
↶/BND	Band select	
⏻ 🔊	Press to mute, Press and hold to power off	
🎤 🔍	Press to turn on voice, Press an hold to auto memory	
↶/MOD	Press to select a source/Answer call Press an hold to last call	



REMOTE OPERATION



Basic Operation

To	Operation (panel)
Power on	Press any button
Power off	Press and hold /
Mute	Press
Volume up and down	Turn the knob
Source select	Press /MOD
Menu	Press the knob
Return	Press /BND (In menu status)
Turn on voice	Press (Bluetooth is connected)

RADIO OPERATION

Start Listening

To	Operation (panel)	Remark
Auto memory	Press and hold Q	18 FM/12AM
Band selection	Press ⇄/BND	FM1/FM2/FM3/AM1/AM2
Seek a station manually	Press ◀▶	
Search the next or previous frequency step by step	Press and hold ◀▶	
Store a station	Press and hold 1-6	

TUNER SETTINGS

- 1.Press the knob to enter the [MENU].
- 2.Turn the knob to select [TUNER],then press the knob.

Tuner Settings List

Menu	Adjustment	
TUNER	STEREO/MONO	NEWS/AFFAIRS/INFO/SPORT
	DX/LOCAL	EDUCATE/DRAMA/CULTURE
	REGIONAL EUROPE/USA/ASIA/RUSSIA	SCIENCE/VARIED/POP M/ROCK
	RDS OFF/ON	M/EASY M/LIGHT M/CLASSICS
	TA OFF/ON	OTHER M/WEATHER/FINANCE
	AF ON/OFF	CHILDREN/SOCIAL/RELIGION
	EON OFF/ON	PHONE IN/TRAVEL/LEISURE
REG OFF/ON	JAZZ/COUNTRY/NATION M	
PTY OFF/ON	OLDIES/FOLK M/DOCUMENT	

Stereo/Mono Select

Turn the knob to select [STEREO or MONO],then turn the knob select [STEREO/MONO].

DX/Local Select

Turn the knob to select [LOC or DX],then turn the knob select [DX /LOCAL].

Remark: DX:Distant exchange

Tuner Area Select

Turn the knob to select [REGIONAL],then turn the knob select [ASIA/OIRT/EUR/USA].

RDS ON/OFF

Turn the knob to select [RDS OFF],then turn the knob select [RDS OFF,ON].

USB&SD PLAYBACK

To	Operation (panel)
Track selection	Press ⏮ ⏭
Fast playback	Press and hold ⏮ ⏭
Playback/Pause	Press 1/⏸
Track pre-play	Press INT 2
Repeat playback	Press 3 RPT • REPEAT ONE.REPEAT DIR.REPEAT ALL
Random playback	Press RDM 4 • ON/OFF
Folder selection	Press 5 ⏪ ⏩ 6

SUPPORTED AUDIO PLAYBACK LIST

Audio	Stream	Sampling Rate	Remark
MP3	32kbps-384kbps	8/11.025/12/16/22.05 24/32/44.1/48KHz	MPEG1/2/2.5 Layer II&III
WMA	0kbps-320kbps	8/11.025/12/16/22.05 24/32/44.1/48KHz	WMA standard 4/4/1/7/8/9.1
APE	all bitrates allowed	8/16/22.05/24/32 44.1/48KHz	PCM Bit width 8/12/16/24bits
FLAC	all bitrates allowed	8/16/22.05/24/32 44.1/48KHz	PCM Bit width 8/12/16bits
FLAC	Maximum bitrates 3000kbps	96KHz	24bits
AAC	all bitrates allowed	8/11.025/12/16/22.05 24/32/44.1/48KHz	MPEG2/4 AAC LC profile
M4A	all bitrates allowed	8/11.025/12/16/22.05 24/32/44.1/48KHz	ISO/IEC 14496-3 Amd 1:2003
WAV	32kbps-384kbps	8/11.025/12/16/22.05 24/32/44.1/48KHz	4 bit ADPCM only

SUPPORTED DEVICES

Device	Maximum capacity	Device format
USB	256GB	FAT16/FAT32/exFAT
Micro SD/TF	256GB	FAT16/FAT32/exFAT

BLUETOOTH OPERATION

Bluetooth Pairing

The first time pair mobile phone with receiver, please follow below steps:

1. When there is no pairing, in any mode, the BT1 on the LCD will flash, and the pairing can be performed at this time.
2. Turn on the phone's Bluetooth to Search NQ523BD.
3. Click on the NQ523BD on the phone to connect. After the connection is successful, the BT1 will stop flashing.
4. When pairing is complete, the mobile phone audio will automatically transfer to the car audio system whenever a call is made or received, or when the mobile phone plays music.

Note:

For more details of bluetooth pairing, please refer to the owner's manual for your mobile phone.

Bluetooth Basic Operation

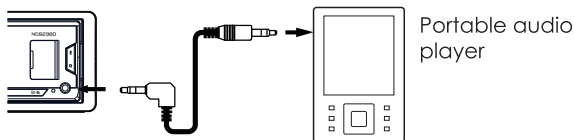
To	Operation (panel)
Make a call	Bluetooth mobile phone connected
Answer a call	Press ↶/MOD
Reject an incoming call	Press an hold ↶/MOD
Switch between the current caller and a caller on hold	Press ↶/MOD (In a call)
End a call	Press an hold ↶/MOD (In a call)
Adjust call volume	Turn on the knob

Bluetooth Music Operation

To	Operation (panel)
Previous track	Press ⏮
Next track	Press ⏭
Playback/Pause	Press 1/⏸

AUX INPUT

1. Connect a portable audio player (commercially available).
Auxiliary input jack

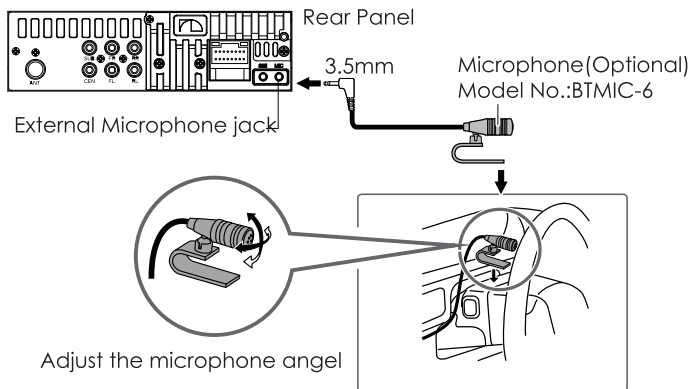


Auxiliary input jack

- 3.5mm stereo mini plug with "L" shaped connector.
(commercially available).

2. Press [$\sqrt{\text{MOD}}$] buttons to select AUX IN.
3. Turn on the portable audio player and start playback.

EXTERNAL MICROPHONE



Note:

Since the panel microphone is far from the driver's position, when using an external microphone, you can get better voice calls.

AUDIO SETTINGS

- 1.Press the knob to enter the [MENU].
- 2.Turn the knob to select [AUDIO],then press the knob.

Audio Settings List

Menu	Adjustment
SW LEVEL	SVOL -8 ~ +8
PRESET EQ	USER/NATURAL/POP/CLASSIC/ROCK/JAZZ/FLAT/SUPER BASS └ 30Hz/60Hz/80Hz/100Hz/120Hz/160Hz/250Hz/400Hz 600Hz/ 800Hz/1KHz/1.5KHz/2KHz/2.5KHz/3KHz/3.5K/4K 4.5K/5K/5.5K/ 6K/6.5K/7K/7.5K/8K/8.5K/9K/9.5K/10K/11K /12K/13K/14K/15K/ 15.5K/16K/17K/18K/19K/20K
XBASS	FREQ OFF/60Hz/80Hz/120Hz/160Hz/200Hz/300Hz
	GAIN 0~10
SURROUND	OFF/ON (3D SURROUND)
DRC	OFF/ON
LOUD	OFF/ON
BASS	BASS -7 ~ +7
TREBLE	TREBLE -7 ~ +7
BAL	BAL L7-L0,0,R1-R7
FADER	FADER R7-R0,0,F1-F7
AUDIO RESET	NO/YES

Subwoofer Volume Adjustment

- 1.Turn the knob to select [SW LEVEL],then press the knob.
- 2.Turn the knob to adjustment SVOL [-8 to +8].

Preset EQ Select

- 1.Turn the knob to select [PRESET EQ],then press the knob.
- 2.Turn the knob to select [USER/NATURAL/POP/CLASSIC/ROCK/
JAZZ/FLAT/SUPER BASS].

User EQ Setup

- 1.Turn the knob to select [PRESET EQ],then press the knob.
- 2.Turn the knob to select [USER],then press the knob.
- 3.Turn the knob to select frequency for adjustment.

X-BASS Adjustment

- 1.Turn the knob to select [XBASS],then press the knob.
- 2.Turn the knob to adjustment [0-20].

AUDIO SETTINGS

1. Press the knob to enter the [MENU].
2. Turn the knob to select [AUDIO], then press the knob.

3D Surround Setup

1. Turn the knob to select [SURROUND], then press the knob.
2. Turn the knob to select [OFF/ON].

DRC OFF/ON

1. Turn the knob to select [DRC], then press the knob.
2. Turn the knob to select [OFF/ON]

Remark:

DRC: Dynamic range compression.

Can make small signals louder and stronger, and make high-amplitude signals undistorted.

Loudness Setup

1. Turn the knob to select [LOUD], then press the knob.
2. Turn the knob to select [OFF/ON].

Bass Adjustment

1. Turn the knob to select [BASS], then press the knob.
2. Turn the knob to adjustment [-7 to +7].

Treble Adjustment

1. Turn the knob to select [TREBLE], then press the knob.
2. Turn the knob to select [-7 to +7].

Balance Adjustment

1. Turn the knob to select [BAL], then press the knob.
2. Turn the knob to select [L7-L0 to R1-R7].

Fader Adjustment

1. Turn the knob to select [FADER], then press the knob.
2. Turn the knob to select [R7-R0 to F1-F7].

Audio Setup Reset

1. Turn the knob to select [AUDIO RESET], then press the knob.
2. Turn the knob to select [NO/YES].

XOVER SETUP

- 1.Press the knob to enter the [MENU].
- 2.Turn the knob to select [X/OVER],then press the knob.

Subwoofer Xover List

Menu	Adjustment	
SUB SET	SW FREQ	OFF/30Hz/60Hz/80Hz/100Hz/120Hz/150Hz/180Hz/200Hz/250Hz/300Hz
	SW PHASE	NORMAL/REVERSE
	SW GAIN	0-5
	SW SLOPE	0dB/6dB/12dB/18dB/24dB
F+R SET	HPF FREQ	ALL/30Hz/40Hz/50Hz/60Hz/70Hz/80Hz/90Hz/100Hz/120Hz/150Hz/180Hz/200Hz/250Hz/300Hz
	HPF GAIN	0-5
	LPF FREQ	1KHz/1.6KHz/2.5KHz/4KHz/5KHz/6.3KHz/8KHz/10KHz/12.5KHz/THROUGH
	LPF GAIN	0-5
	SLOPE	0dB/6dB/12dB/18dB/24dB

Subwoofer Frequency Setup

- 1.Turn the knob to select [SW FREQ],then press the knob.
- 2.Turn the knob to select frequency[OFF/30Hz/60Hz/80Hz/100Hz/120Hz 150Hz/180Hz/200H/250Hz/300Hz].

Subwoofer Phase Setup

- 1.Turn the knob to select [SW PHASE],then press the knob.
- 2.Turn the knob to select [NORMAL/REVERSE].

Subwoofer Gain Setup

- 1.Turn the knob to select [SW GAIN],then press the knob.
- 2.Turn the knob to select [0-5].

Subwoofer Slope Setup

- 1.Turn the knob to select [SW LPF SLOPE],then press the knob.
- 2.Turn the knob to select [0dB/6dB/12dB/18dB/24dB].

Front&Rear HPF Frequency Setup

- 1.Turn the knob to [HPF FREQ],then press the knob.
- 2.Turn the knob to select[ALL/30Hz/40Hz/50Hz/60Hz/70Hz/80Hz/90Hz 100Hz/120Hz/150Hz/180Hz/200Hz/250Hz/300Hz]

Front&Rear HPF Gain Setup

- 1.Turn the knob to [HPF GAIN],then press the knob.
- 2.Turn the knob to select[0-5]

Front&Rear LPF Frequency Setup

- 1.Turn the knob to [LPF FREQ],then press the knob.
- 2.Turn the knob to select[1KHz/1.6KHz/2.5KHz/4KHz/5KHz/6.3KHz/8KHz/10KHz/12.5KHz/THROUGH]

XOVER SETUP

Front&Rear LPF Gain Setup

1. Turn the knob to [LPF GAIN], then press the knob.
2. Turn the knob to select [0-5]

Front&Rear Slope Setup

1. Turn the knob to [SLOPE], then press the knob.
2. Turn the knob to select [0dB/6dB/12dB/18dB/24dB]

DTA SETTINGS

1. Press the knob to enter the [MENU].
2. Turn the knob to select [DTA SET], then press the knob.

DTA Settings List

Menu	Adjustment	
CAR TYPE	SMALL/MEDIUM /LARGE	
POSITION	USER/FRONT R/FRONT L/CENTER	
UNIT	CM/MS/INCH	
DISTANCE	F LEFT	FL 0-680CM
	F RIGHT	FR 0-680CM
	R LEFT	RL 0-680CM
	R RIGHT	RR 0-680CM
	SUBWOOFER	SUB 0-680CM
DTA RST	NO/YES	

Car Type Settings

1. Turn the knob to select [CAR TYPE], then press the knob.
2. Turn the knob to select [SMALL /MEDIUM /LARGE].

Listening Position Settings

1. Turn the knob to select [POSITION], then press the knob.
2. Turn the knob to select [USER/FRONT R/FRONT L/CENTER].

Delay Unit Settings

1. Turn the knob to select [UNIT], then press the knob.
2. Turn the knob to select [CM/MS/INCH].

DSP Reset

1. Turn the knob to select [DTA RST], then press the knob.
2. Turn the knob to select [NO/YES].

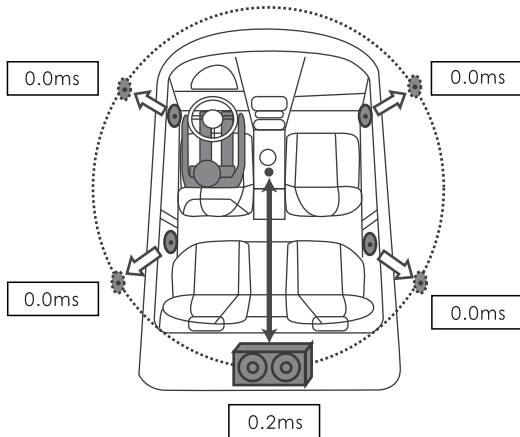
TIME ALIGNMENT(DISTANCE)

- 1.Press the knob to enter the [MENU].
- 2.Turn the knob to select [DTA SET],then press the knob.
- 3.Turn the knob to select [DISTANCE],then press the knob.
- 4.Turn the knob to select[F LEFT/F RIGHT/R LEFT/R RIGHT/SUBWOOFER] to adjustment.

Determining the value for<Position> adjustment.

- ① Determine the center of the currently set listening position as the reference point.
- ② The adjustable speaker has five directions: front left, front right, back left, back right, and back.
- ③ The time for the speakers in the five directions to reach the center is the same by default.
- ④ Set the value for each speaker, the delay range: 0-20ms
- ⑤ Adjust the increase or decrease of each speaker, 0.2ms each time.

Example: When <back> is selected as the listening position



CLOCK AND DATE SETTINGS

- 1.Press the knob to enter the [MENU].
- 2.Turn the knob to select [CLOCK],then press the knob.

Clock And Date Settings List

Menu	Adjustment
CLK FRMT	12H/24H
CLK ADJ	00:00
DATE FRMT	DD-MM-YY/MM-DD-YY
DATE SET	17/07/2021

Clock Format Settings

- 1.Turn the knob to select [CLK FRMT],then press the knob.
- 2.Turn the knob to select [12H/24H].

Clock Adjust

- 1.Turn the knob to select [CLK ADJ],then press the knob.
- 2.Turn the knob to adjustment.
- 3.Press the knob to switch the clock/minute adjustment.

Date Format Settings

- 1.Turn the knob to select [DATE FORMAT],then press the knob.
- 2.Turn the knob to select [DD-MM-YY/MM-DD-YY].

Date Settings

- 1.Turn the knob to select [DATE SET],then press the knob.
- 2.Turn the knob to adjustment.
- 3.Press the knob to switch day/month/year adjustment.

DISPLAY SETTINGS

Display Settings List

Menu	Adjustment
COLOR SEL	AUTO/RED/GREEN/BLUE/YELLOW/ CYAN/PURPLE/WHITE
SPECTRUM	OFF/ON
ID3 TAG	OFF/ON
VERSION	VER 2.0

DISPLAY SETTINGS

- 1.Press the knob to enter the [MENU].
- 2.Turn the knob to select [DISPLAY],then press the knob.

Key Light Select

- 1.Turn the knob to select [COLOR SEL],then press the knob.
- 2.Turn the knob to select key light color:AUTO/RED/GREEN /BLUE/YELLOW/CYAN/PURPLE/WHITE(Knob Select).

Spectrum ON/OFF

- 1.Turn the knob to select [SPECTRUM],then press the knob.
- 2.Turn the knob to select [OFF/ON].

ID3 ON/OFF

- 1.Turn the knob to select [ID3 TAG],then press the knob.
- 2.Turn the knob to select [OFF/ON].

System Version

Turn the knob to select [VERSION],then press the button to query the system version information.

ANIMATION SETTINGS

- 1.Press the knob to enter the [MENU].
- 2.Turn the knob to select [ANIMATION],then press the knob.
- 3.Turn the knob to select [OFF/PER 15SEC/30SEC/1MIN/2MIN/4MIN].

Menu	Adjustment
ANIMATION	OFF/PER 15SEC/30SEC/1MIN/2MIN/4MIN

DEMO MODE SELECT

- 1.Press the knob to enter the [MENU].
- 2.Turn the knob to select [DEMO MODE],then press the knob.
- 3.Turn the knob to select [OFF/ON].

Menu	Adjustment
DEMO MODE	OFF/ON

APP OPERATION

APP Download

Please go to the APPALE APP Store or Google Play Store and search [Nakamichi AMC] app,after downloading the APP,install it on your Appale&Android devices.

APP Connection

1. Open the [Nakamichi AMC] APP, click [🔍] to search for NQ523BD.
2. Click NQ523BD to connect, the [🔴] will be red after the connect is successful.



APP OPERATION

EQ Settings

Frequency

Gain

Q value

Band	Freq	Gain	Q
1	20.000Hz	0.0	1.0
2	22.321Hz	0.0	1.414
3	24.848Hz	0.0	2.0
4	27.485Hz	0.0	2.828
5	30.236Hz	0.0	4.0
6	33.106Hz	0.0	5.657
7	36.100Hz	0.0	8.0
8	39.224Hz	0.0	11.314
9	42.483Hz	0.0	16.0
10	45.883Hz	0.0	22.361
11	49.430Hz	0.0	31.623
12	53.140Hz	0.0	44.721
13	57.027Hz	0.0	63.096
14	61.100Hz	0.0	89.125
15	65.377Hz	0.0	125.893
16	70.000Hz	0.0	177.829

Select up and down Adjustment

Radio

106.00

1	87.50	4	106.0
2	90.0	5	108.0
3	98.0	6	87.50

Home

Radio

USB

SD Card

AUX IN

BT Music

Navigation

Settings

Lights

Crossover

LPT Filter < 180° >

LPT Slope < 18dB >

LPT Gain < 0 >

Phase < Reverse >

Bluetooth Music Playback

Nakamichi

Artist

Song

Album

Key Lights

Color wheel and colored circles (red, green, blue, yellow, cyan, purple, grey).

USB/SD Playback

City Murs

City Murs - That Girl (FLAC)

34 HRS (Deluxe)

TROUBLE SHOOTING

Not work

Fuse blown
Loose panel contact

Remedy

Replace the fuse: small 10A(Red)
Take out the panel and reinstall

Not responding

System problem

Reset the unit

No bass

Subwoofer setting level
is too small

Enter AUDIO to set SVOL

Can't turn on voice

Bluetooth is not connected
Phone does not support voice

Connect Bluetooth
N.A

Not playing

Incorrect device format
Device error
Unsupported audio file

Reformat
Replacement device
Replace supported audio files

Radio reception is poor

Poor contact of radio antenna
Poor signal at location

Reconnect the radio antenna
Change to other positions

Remote control is invalid

Remote control battery is low

Replace CR2025 battery

Bluetooth call is poor

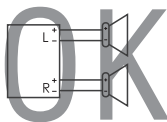
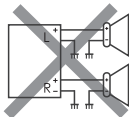
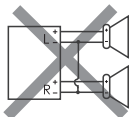
Microphone is too far away

Speak into the microphone

SPEAKER CONNECTION

Do not connect the speaker leads of the power cord to the car battery; otherwise, the unit will be seriously damaged.

Before connecting the speaker leads of the power cord to the speakers, check the speaker wiring in your car.



SPECIFICATION

GENERAL	Operating Voltage	14.4V(10.8V allowable)
	Maximum Current	10A
	Operational Temperature	-10°~+60°
	Installation Size(WxHxD)	182mmx53mmx115mm
	Net Weight	0.5kg
	Fuse	Small fuse 10A(Red)

AUDIO	Maximum Output Power	50Wx4
	Speaker Impedance	4-8ohm
	Pre-output Level	2V

RADIO	FM Frequency Range	87.5MHz-108.0MHz
	AM Frequency Range	522KHz-1710KHz
	Preset	18 FM,12 AM

USB	USB Standard	USB1.1,USB2.0 Full Speed
	Audio Format	MP3/WMA/APE/FLAC/ AAC/M4A/WAV
	Front USB	Read/charge DC 5V \mp 1A

BLUETOOTH	Version	Bluetooth 5.0
	Frequency Range	2.402GHz-2.480GHz
	Communication Range	Line of sight approx.10m
	Profile	HPF1.6/A2DP/AVR/SPP



CONNECT WITH US ONLINE TO EXPLORE NAKAMICHI'S COMPLETE RANGE,
INSTRUCTIONS & SOFTWARE DOWNLOADS AND WARRANTY REGISTRATION.

WWW.NAKAMICHICARAUDIO.COM

 [nakamichi.global](https://www.facebook.com/nakamichi.global)  [nakamichi.caraudio](https://www.instagram.com/nakamichi.caraudio)

Made in China | 中國製造