

## NS-QT66-II

### 25mm KSV TWEETER SYSTEM

N-Power:	20W
Peak Power:	200W
Sensitivity:	89dB ± 3dB
Impedance:	3Ω
Voice Coil:	Φ25 mm KSV
Frequency Range:	310Hz - 20kHz
Net Mass(1 pr):	Approx. 0.45Kg
Dimensions:	70×70×50mm

### IMPORTANT

- Thank you for purchasing the car tweeters. For the secure installation and perfect operation of your tweeters, please read the instructions carefully.
- By planning your installation carefully you can avoid situations where the performance or reliability of your system is compromised.
- We can not recommend specific locations for the tweeter for each car, but we can give some general tips. Try to avoid placing them above ear level unless the woofers also above ear level.
- Before connecting the tweeters to the speakers, confirm that the power has been turned off. The click noise generated by the connection if the power is on may damage the tweeters.

### INSTALLATION

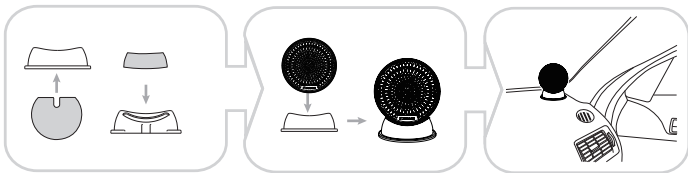
Install the speaker to the dashboard of your vehicle as illustrated below.

It is recommended to have the tweeter system installed by a qualified technician.

Before installing the tweeter to your vehicle:

Prepare a rag to clean the installation and remove moisture, dust and dirt.

- The 3M adhesive will be attached to the treble base to ensure a firm paste (Fig.1).
- Attach the tweeter to the base and make sure it is securely attached (Fig.2).
- Stick the pasted tweeter to the appropriate position on the instrument panel and do not obstruct the driver's view (Fig.3).



## CAUTION

If the speaker is installed improperly, it may come off from the dashboard during driving, causing injury or accident.

## HOW TO COMPLETE THE WIRING

- Consult the diagram below. Be sure to connect corresponding terminals, i.e. "+" to "+" and "-" to "-".
- Connection with reversed polarity will degrade the quality of production.
- Route the speaker cord so that it does not obstruct safety drive.



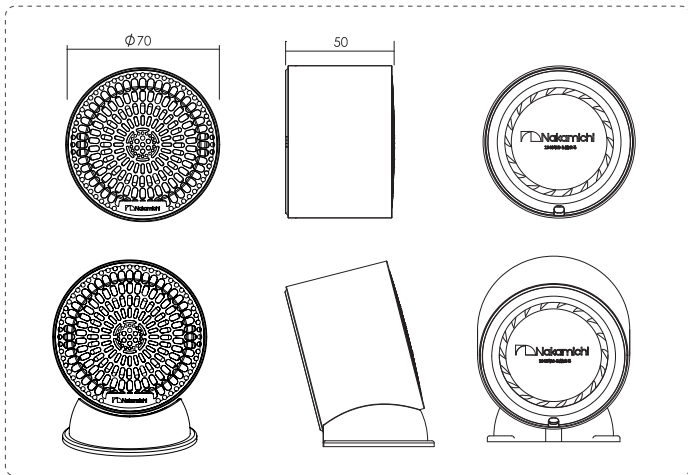
## WHAT'S IN THE BOX

Check to be sure you have the following items.

If any of the items below are missing, contact your dealer immediately.

1. Manual (x1pc);
2. Tweeter (x1pr);
3. Bracket (x2pcs);
4. 3M Sticker (2prs);
5. Crossover (2pcs).

## DIMENSIONS (UNIT: MM)



CONNECT WITH US ONLINE TO EXPLORE NAKAMICHI'S COMPLETE RANGE, INSTRUCTIONS & SOFTWARE DOWNLOADS AND WARRANTY REGISTRATION.

[WWW.NAKAMICHICARAUDIO.COM](http://WWW.NAKAMICHICARAUDIO.COM)

 [nakamichi.global](https://www.facebook.com/nakamichi.global)

 [nakamichi.caraudio](https://www.instagram.com/nakamichi.caraudio)

Nakamichi Corp, Japan

Made in China | 中國製造